

## FAQs

**Q. Where can I purchase wheels for the work table?**

A. Wheels can be purchased at [www.sevilleclassics.com](http://www.sevilleclassics.com).  
Search for model no. **SHE18308WH**.

**Q. Where can I purchase an extra wire shelf for the work table?**

A. Extra shelves can be purchased at [www.sevilleclassics.com](http://www.sevilleclassics.com).  
Search for model no. **SHE18308SH**.

**Q. Can I place a counter top dishwasher on top of the work table?**

A. Yes. The work table can hold up to 1,000 lbs (evenly distributed) total, across the stainless steel top and lower wire shelves. The lower wire shelves can hold up to 500 lbs. each (evenly distributed).

**Q. Can I use the work table in a restaurant?**

A. Yes, our stainless-steel worktable is certified by the NSF to NSF/ANSI Standard 2 - Food Equipment for use in dry environments.

## Safety

Do not tip the table over or place upside down.  
Do not place more than 1,000 lbs. on the table top.

## Specifications

Dimensions: 49" W x 24" D x 35.5" H  
Weight Capacity: 1,000 lbs. (evenly distributed)  
Net Weight: 45 lbs.

## Customer Service Information

**Seville Classics Inc.**

**Telephone:** (800) 323-5565

**Fax:** (310) 533-3899

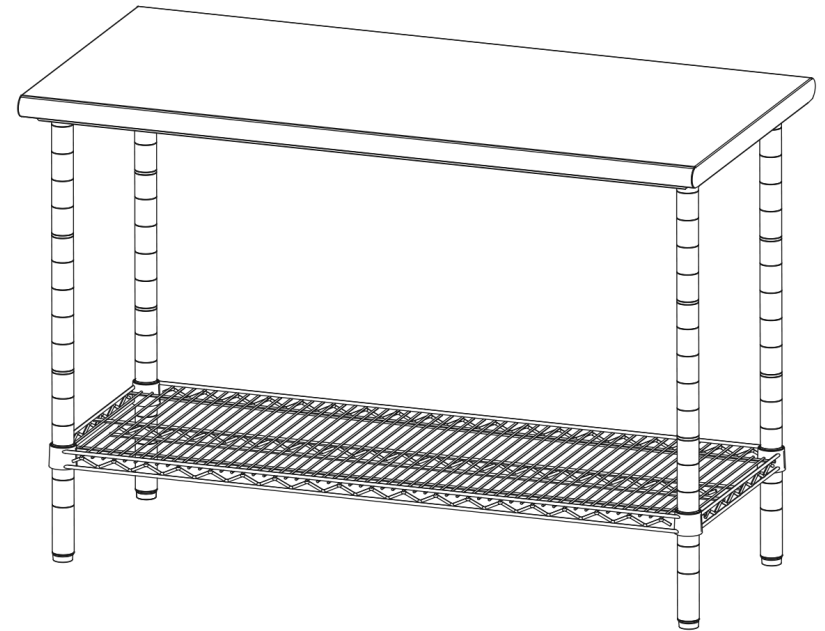
**Hours:** 8:30 AM – 4:30 PM (PST)

**Email:** [Support@sevilleclassics.com](mailto:Support@sevilleclassics.com)

**Website:** [www.sevilleclassics.com](http://www.sevilleclassics.com)

# seville classics®

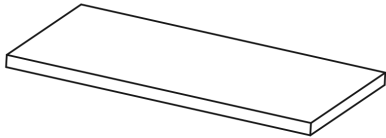
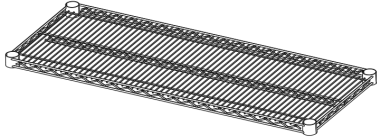
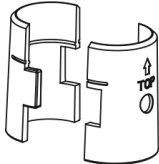
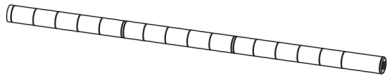
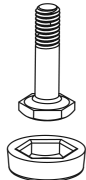
## Commercial-Grade NSF Stainless-Steel Top Work Table



**Model: SHE18308B**

Thank you for choosing Seville Classics! We hope that you enjoy your new stainless-steel table. Please read through this user guide for parts list, assembly instructions, frequently asked questions and contact information.

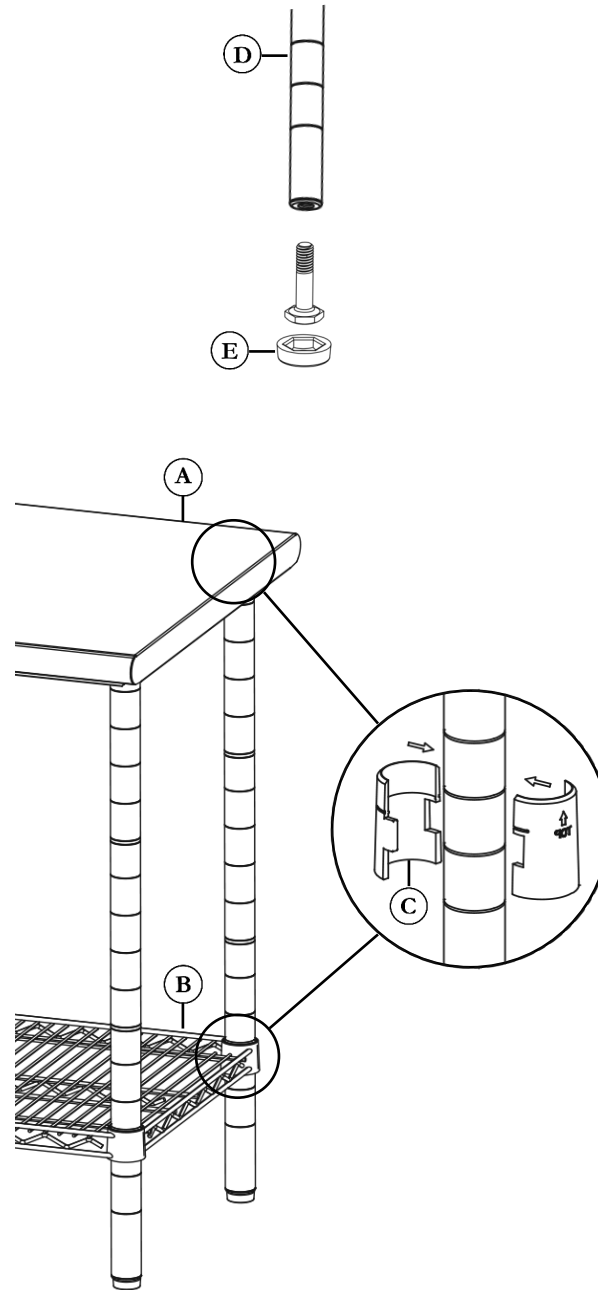
# Parts List

A. S.S. Top (1)	
B. Wire Shelf (1)	
C. Slip-Sleeves (16)	
D. Poles (4)	
E. Leveling Feet (4)	

**Please make sure you have all the parts on this list.**

If you're missing parts, contact us for replacements at (800) 323-5565 or send an email to [support@sevilleclassics.com](mailto:support@sevilleclassics.com)

# Assembly Instructions



**STEP 1.**  
Fit caps over the bottoms of **LEVELING FEET (E)**, and screw into the base of **POLES (D)**.

**STEP 2**  
Clip **SLIP-SLEEVES (C)** around bottom grooves.

**IMPORTANT:** Count up from bottom grooves to make sure all slip sleeves are at the same height.

Fit **WIRE SHELF (B)** over slip sleeves and press down firmly.

**STEP 3.**  
Clip **SLIP-SLEEVES (C)** around top grooves on each pole.

Fit **S.S. TOP (A)** over slip sleeves and press down firmly.

**CONGRATULATIONS!**  
Enjoy your new stainless-steel worktable!